

Clean water

Domestic use

Civil use



PERFORMANCE RANGE

- Flow rate up to **120 l/min** (7.2 m³/h)
- Head up to **42 m**
- Restart pressure: **1.5 bar**

APPLICATION LIMITS

- **5 m** maximum immersion depth
- Maximum height between pump and point of use **10 m**
- Maximum liquid temperature **+40 °C**
- Suction down to **22 mm** above ground level
- Continuous service **S1**

CONSTRUCTION AND SAFETY STANDARDS

The pumps is complete with:

- power cable
- internal electronic device for pump starting (when tap opened) and stopping (when tap closed)
- threaded connector 1¼" (delivery)
- hose connector Ø 35 mm

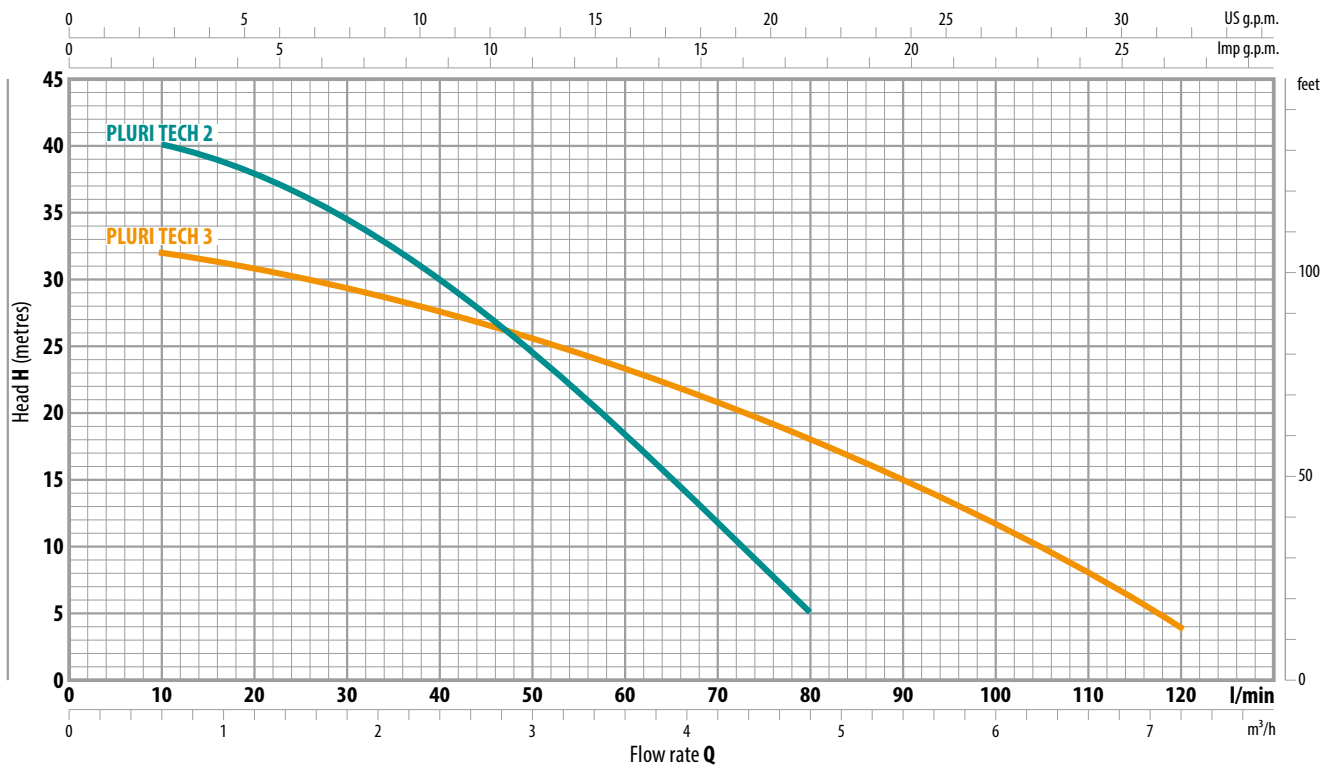
EN 60335-1
IEC 60335-1
CEI 61-150

EN 60034-1
IEC 60034-1
CEI 2-3



CHARACTERISTIC CURVES AND PERFORMANCE DATA

50 Hz | n= 2900 min⁻¹



MODEL	POWER (P ₂)		Q	Flow rate Q													
	kW	HP		m ³ /h	0	0.6	1.2	1.8	2.4	3.0	3.6	4.2	4.8	5.4	6.0	6.6	7.2
Single-phase			l/min	0	10	20	30	40	50	60	70	80	90	100	110	120	
PLURI TECH 2	0.55	0.75	H metres	42	40	38	34	30	24	18	11.5	5					
PLURI TECH 3	0.55	0.75		33	32	31	29.5	28	25.5	23	20.5	18	15	12	8	4	

Q = Flow rate
H = Total manometric head

Tolerance of characteristic curves in compliance with EN ISO 9906 Grade 3B.

INSTALLATION AND USE

PLURI TECH pumps are recommended for pumping clean water and liquids that are not chemically aggressive for the materials from which the pump is made.

Because of their high efficiency and reliability they are suitable for use in applications such as domestic water supply from reservoirs, tanks or relatively deep wells, for drawing rain water from cisterns to water gardens or for use in irrigation systems, etc.

An internal electronic device starts or stops the pump automatically when the tap is opened or closed.

CONSTRUCTION CHARACTERISTICS

DELIVERY BODY	Glass fibre reinforced technopolymer
PUMP BODY AND SUCTION FILTER	Glass fibre reinforced technopolymer
IMPELLERS	Noryl FE1520PW
MOTOR SHAFT	Stainless steel EN 10088-3 - 1.4104
TWO MECHANICAL SEALS SEPARATED BY AN OIL CHAMBER	Motor side: Ceramic - Graphite - NBR Pump side: Ceramic - Silicon carbide - NBR
POWER CABLE	H07 RN-F type 10 m long power cable with Schuko plug

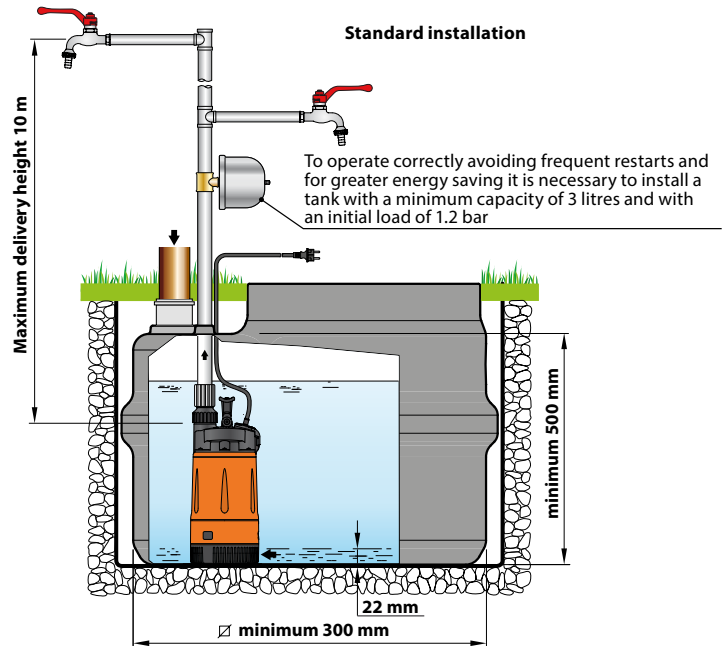
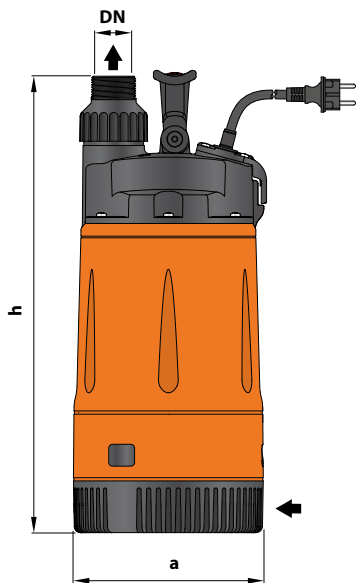
ELECTRONIC DEVICE

PLURI TECH pumps are fitted with an internal electronic device which starts the pump when the pressure of the system falls below 1.5 bar (eg. when opening a tap) and stops it when the flow falls below 3 litre per minute.

It protects the pump:

- against dry running;
- against blockage: after long periods of pump inactivity the electronic device starts the pump every 48 hours for 10 seconds

DIMENSIONS AND WEIGHT



MODEL	PORT DN	N. STAGES	DIMENSIONS mm		kg
			a	h	
Single-phase					
PLURI TECH 2	1 1/4"	3	178	428	9.5
PLURI TECH 3					

ABSORPTION

MODEL	VOLTAGE	
Single-phase	230 V	110 V
PLURI TECH 2	3.4 A	6.8 A
PLURI TECH 3	3.6 A	7.2 A

PALLETIZATION

MODEL	GROUPAGE	CONTAINER
Single-phase	n. pumps	n. pumps
PLURI TECH 2	60	80
PLURI TECH 3	60	80